

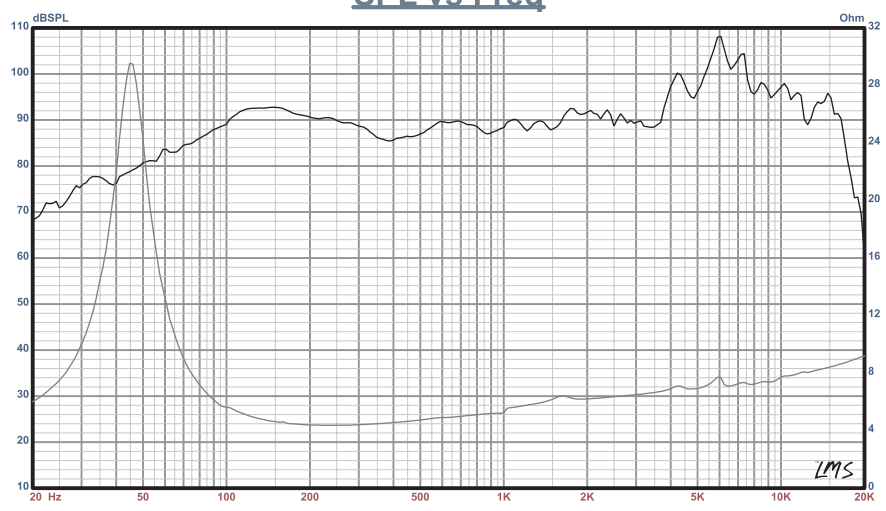


FW166 midwoofer for automobile

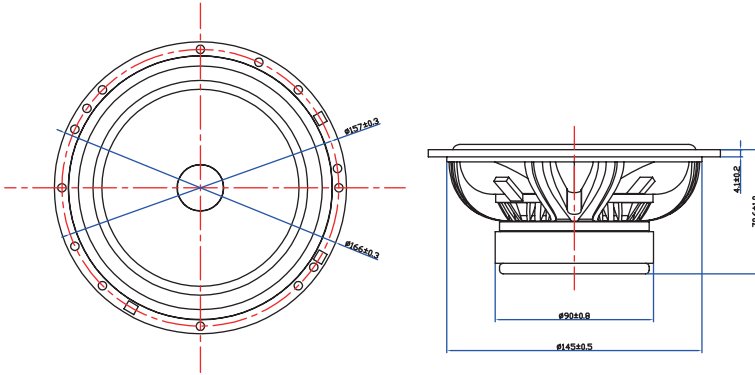
FEATURE

- 6.5" midwoofer driver
- hard aluminium cone
- spire dust cap
- 25mm voice coil
- die cast frame
- low distortion, fast transition

SPL vs Freq



frequency response vs impedance



Mechanical drawing

Specification	
overall dimension	D166x70.6mm
Net. Weight	1.215kg
nominal power handling	30Wrms
nominal impedance	4ohm
sensitivity	89dB/w/m
frequency response	46-2,500Hz
resonant frequency	46Hz
Voice Coil	
voice coil diameter	25mm
voice coil height	12mm
voice coil former	Kapton
voice coil wire	copper round
number of layers	2
DC resistance	3.4ohm
Magnet System	
magnet system type	ferrite
magnetic gap height	5.8mm
B flux density	1T
BL product	4.827Tm
max linear excursion	3.1mm +/-
T/S Parameter	
Cms	1.02mm/N
Sd	136.85cm ²
Vas	27.13litre
Mmd	11.02g
Mms	11.947g
Qms	3.623
Qes	0.499
Qts	0.439