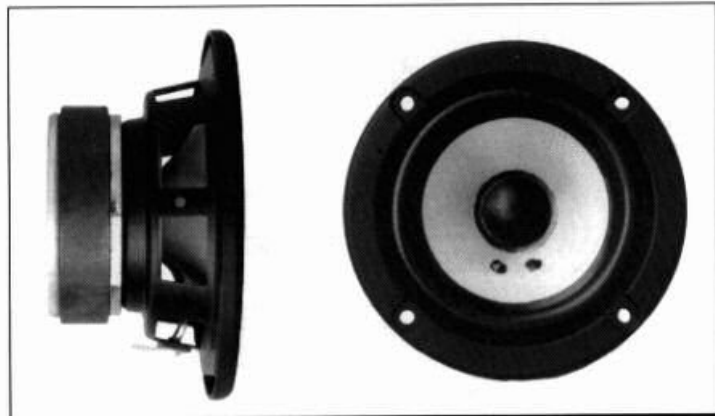


4" - FIBERGLASS CONE DRIVER - 100 mm**CLASSIC SERIES**

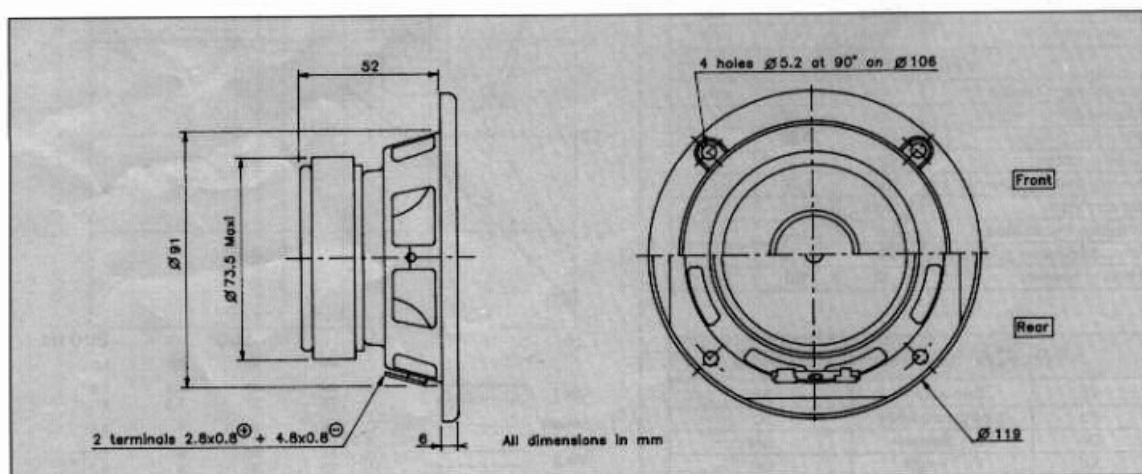
Extended frequency response
Woven fiberglass cone
Rubber surround
Linear frequency response
Stamped steel chassis

Réponse étendue
Cône fibre de verre tissée
Suspension caoutchouc
Courbe de réponse linéaire
Châssis acier embouti



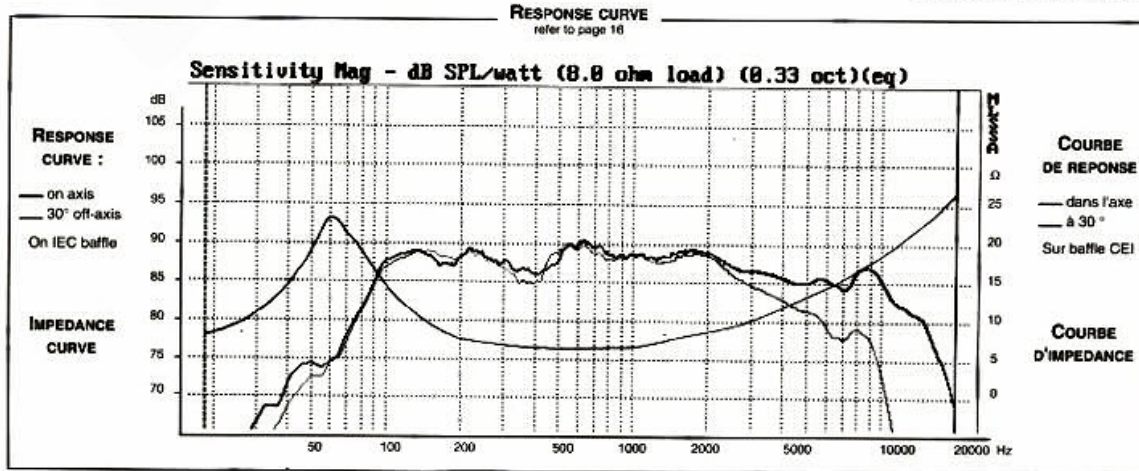
The woven fiberglass cone and rubber surround of this 4" bass midrange are combined to produce outstanding performance characteristics. The linear frequency characteristic, extended response and long excursion capability of this driver make it ideally suited for a wide range of applications. The "Suggested applications" charts indicate various driver loads. The response curves shown on the diagram indicate the predicted low end response of the driver in the suggested box volume (Vb) with suggested port (Dp-Lp).

Ce haut-parleur compact, 100 mm est équipé d'une membrane en fibre de verre tissée et d'une suspension caoutchouc. Il combine une bande passante étendue, une fréquence de résonance basse et de réelles possibilités de longues excursions. Le tableau "Suggested applications" indique différents types de charge. Les courbes publiées correspondent à la réponse dans le grave pour un volume (Vb) et une dimension d'évent donnée (Vp-Lp).



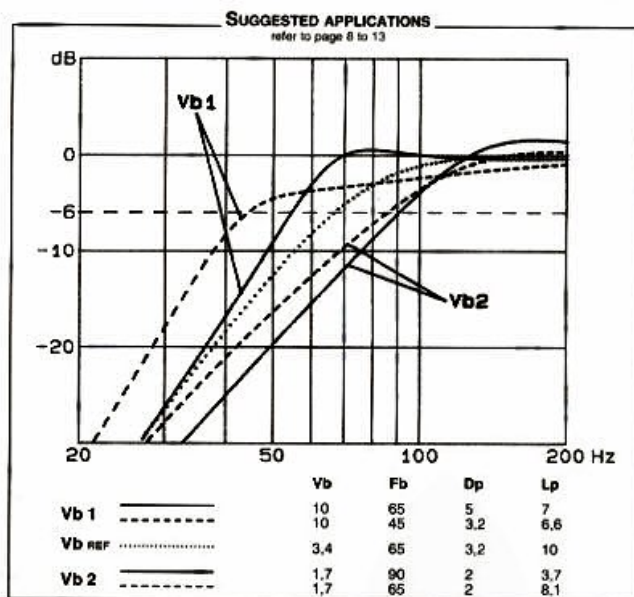
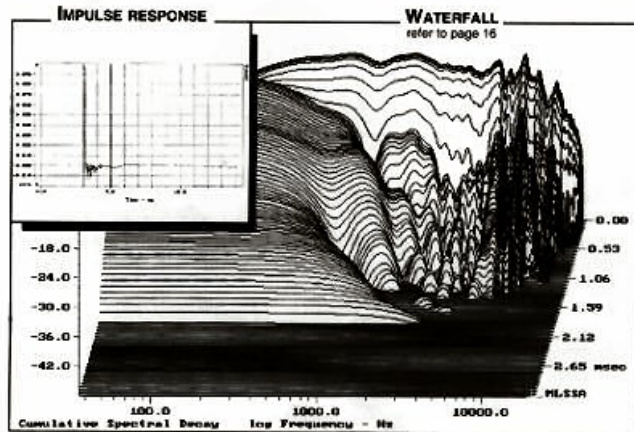
HT100F0 W08FGP2513

100863R



SPECIFICATIONS			
Technical Characteristics	Symbol	Value	Units
PRIMARY APPLICATION			
Nominal Impedance	Z	8	Ω
Resonance Frequency	Fs	60	Hz
Nominal Power Handling	P	30	W
Sensitivity	E	88	dB
VOICE COIL			
Voice coil diameter	Ø	25	mm
Minimum Impedance	Zmin	6,8	Ω
DC Resistance	Re	5,8	Ω
Voice Coil Inductance	Lbm	0,29	mH
Voice coil Length	h	10	mm
Former	-	Aluminium	-
Number of layers	n	2	-
MAGNET			
Magnet dimensions	Ø x h	72 x 15	mm
Magnet weight	m	0,24	kg
Flux density	B	1	T
Force factor	BL	4,63	NA ²
Height of magnetic gap	He	4	mm
Stray flux	Fmag	-	Am ²
Linear excursion	Xmax	±3	mm
PARAMETERS			
Suspension Compliance	Cms	1,38.10 ⁻³	mN ⁻¹
Mechanical Q Factor	Qms	1,87	-
Electrical Q Factor	Qes	0,52	-
Total Q Factor	Qts	0,41	-
Mechanical Resistance	Rms	1,02	kg s ⁻¹
Moving Mass	Mms	5,06.10 ⁻²	kg
Effective Piston Area	S	0,5.10 ⁻²	m ²
Volume Equivalent of Air at Gas	Vas	5,03.10 ⁻²	m ³
Mass of speaker	M	0,59	kg

APPLICATION PARAMETERS		
Vb	Box volume	dm ³
Fb	Tuning frequency	Hz
Dp	Port diameter	cm
Lp	Port length	cm



Please refer to method of measurement and measurement conditions pages 15 to 19.
 Audax may, without prior notification modify the specifications on its products further to research and development requirements.