



NeoCD1.0 Ribbon Tweter

Specifications

Ribbon material Enforced sandwich

Ribbon mass 10mg

Ribbon dimension 8mmX38mmX0.17mm

Ribbon area 304square millimeter

Gap flux 0.55 Telsa

Gap height 10mm

Impedance 5 Ohm

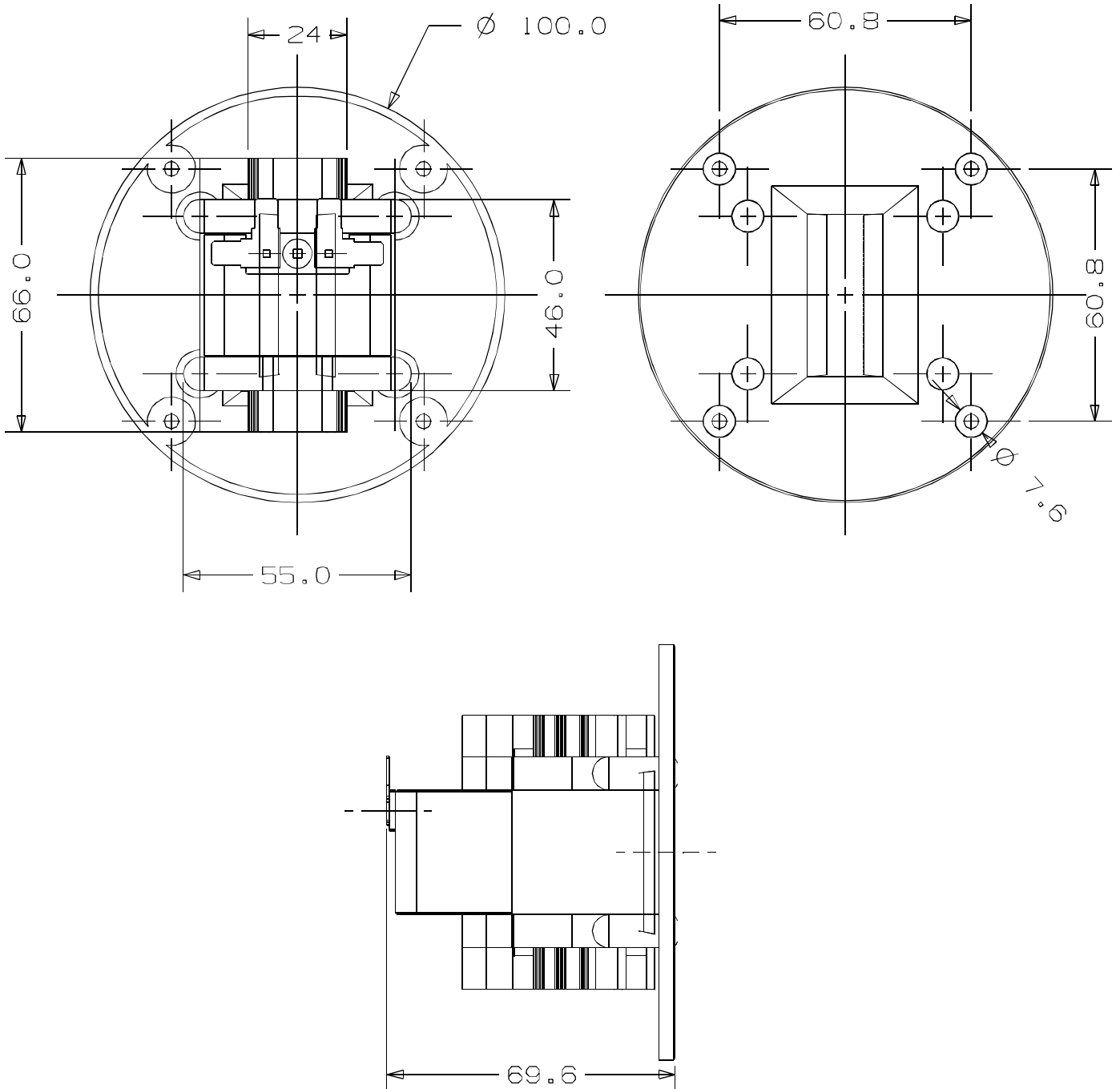
DCR 0.02 Ohm

Frequency response 1,600~40,000Hz

Sensitivity 89dB@2V@1M

Power handling 12W Nominal, 25W Max

Recommended crossover frequency 3,000Hz / 2nd-Order



www.fountek.net e-mail: info@fountek.net
Tel: +86-83019220 Fax: +86-83019221