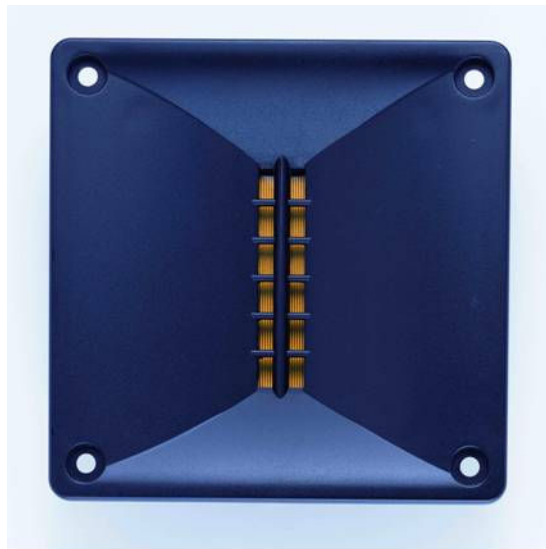


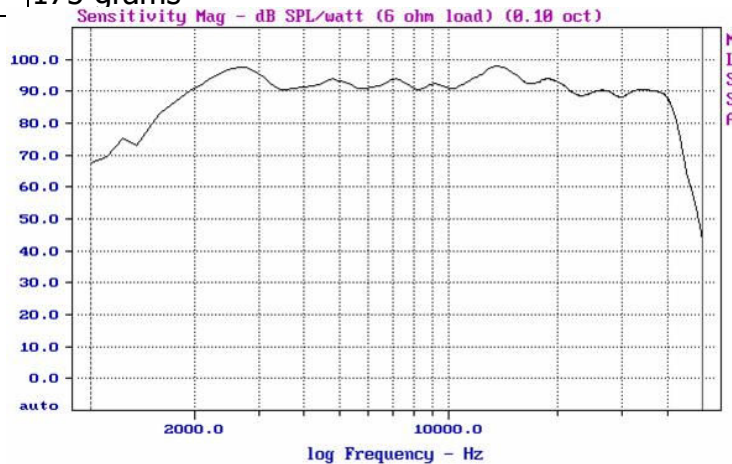
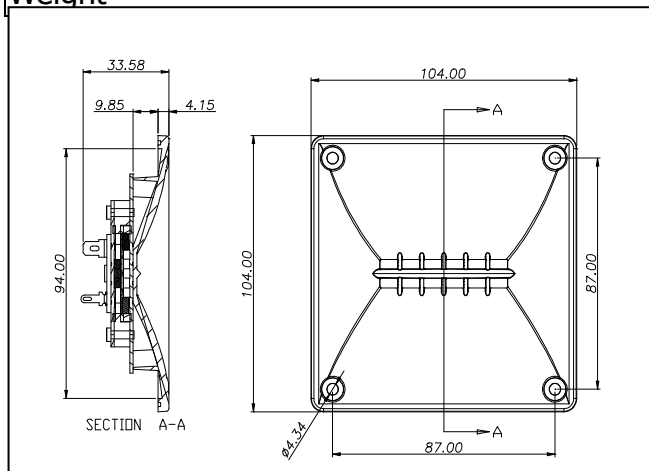
Features:

- Ribbon Tweeter
- 2K Hz to 40K Hz Response
- 92 dB Sensitivity
- 6 Ohm Impedance
- Laminated Aluminum Diaphragm
- Ultra-thin Diaphragm



Specifications:

Nominal Impedance	6 Ohm
Frequency Response	2K Hz ~ 40K Hz
Sensitivity	92 dB @ 1W/1m
Recommended Crossover	More than 2.5 K Hz
Power Handling	40 W Continuous / 3 rd Crossover, $Q \leq 0.707$
Diaphragm	Laminated Aluminum
Magnet	Nd-Fe-B
Weight	175 grams



CAD AUDIO DK

www.cadaudio.dk phone;0045 38334048

km_cad@yahoo.com