

## TWEETER

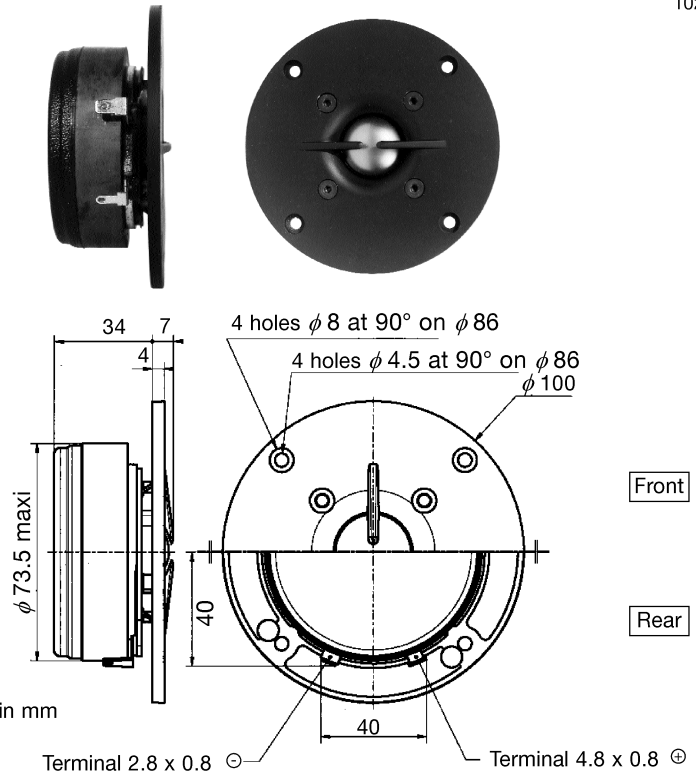
TW005A14 DO4IIP0010  
102143K

1023031

March .99

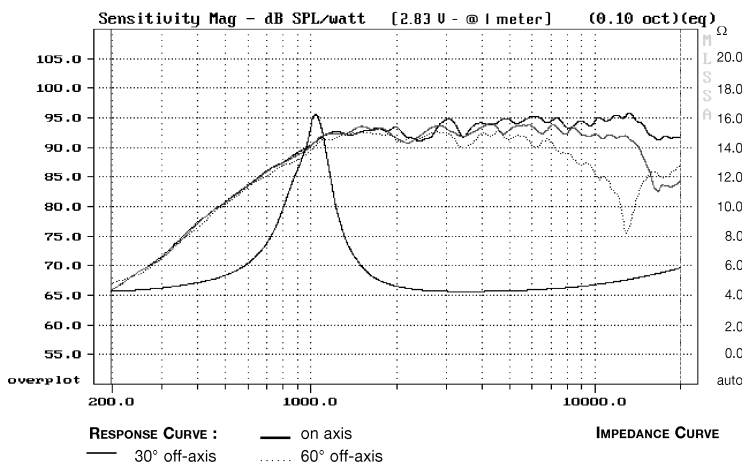
### Hi Fi . Round . Titanium . Cavity 4 Ω

- Profile IV titanium dome, for linear response
- Vented pole piece with critically damped vent
- Natural felt damped and tuned back chamber
- Solid zamack die cast face plate
- Ultra-light copper clad aluminium wire voice coil with braided wires
- Soft polymer suspension

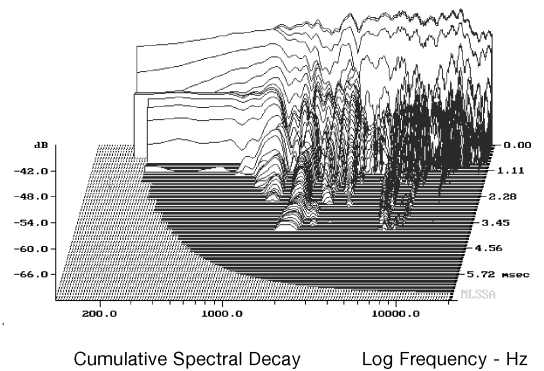


All dimensions in mm

## Response Curve



## Waterfall



## SPECIFICATIONS

Technical characteristics	Symbol	Value	Units
<b>PRIMARY APPLICATION</b>			
Nominal Impedance	Z	4	Ω
Resonance Frequency	Fs	1015,1	Hz
Nominal Power Handling	P	60	W
Sensitivity (2,83 V - 1m)	E	94	dB
<b>VOICE COIL</b>			
Voice Coil Diameter	φ	25	mm
Minimum Impedance	Zmin	4,2	Ω
DC Resistance	Dcr	3,6	Ω
Voice Coil Inductance	Lbm	0,06	mH
Voice Coil Length	h	1,7	mm
Former	-	Aluminium	-
Number of Layers	n	2	-
Wire type	-	round	-
Wire material	-	Aluminium	-

## MAGNET

Magnet Dimensions	φ x h	72 x 15	mm
Magnet Weight	m	0,245	kg
Flux Density	B	1	T
Force Factor	BL	-	NA <sup>-1</sup>
Height of Magnetic Gap	He	1	mm
Stray Flux	Fmag	-	Am <sup>-1</sup>
Linear Excursion	Xmax	± 0,65	mm

## PARAMETERS

Suspension Compliance	Cms	-	μm/N
Mechanical Q Factor	Qms	3,37	-
Electrical Q Factor	Qes	0,93	-
Total Q Factor	Qts	0,73	-
Mechanical Resistance	Rms	-	kg s <sup>-1</sup>
Moving Mass	Mms	-	g
Effective Piston Area	S	4,91	cm <sup>2</sup>
Volume Equivalent of Air at Cas	Vas	-	liters
Mass of Speaker	M	600	g

## Suggested Application

Crossover Frequency	Slope	Inductance	Capacitor	Power Handling
Hz	dB / Oct.	mH	mF	W
5200	6	-	6,8	60
2650	12	0,3	12	60