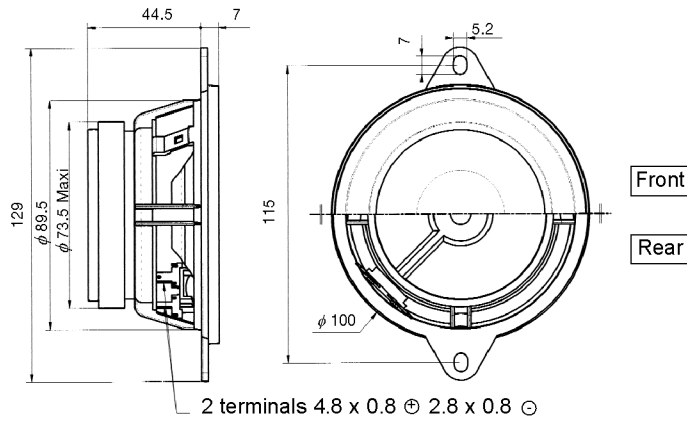


WOOFER MIDRANGE

VP100G0 W04PGN2551
102500H

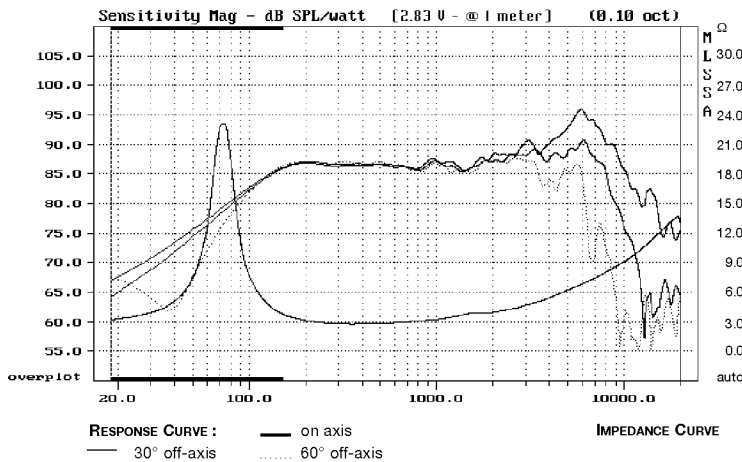
4" - Coated paper cone
High impact polymer chassis



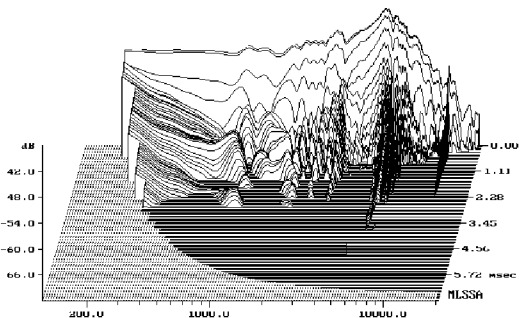
All dimensions in mm

- Coated paper cone
- Compact woofer - Drop-in for high-end aftermarket installation
- High-loss rubber surround
- Kapton former voice coil
- Gold plated terminals
- Vented magnet system
- Non resonant, corrosion-free - High impact polymer chassis

Response Curve



Waterfall



Cumulative Spectral Decay Log Frequency - Hz

SPECIFICATIONS

Technical characteristics	Symbol	Value	Units
PRIMARY APPLICATION			
Nominal Impedance	Z	4	Ω
Resonance Frequency	Fs	76,15	Hz
Nominal Power Handling	P	40	W
Sensitivity (2,83 V - 1m)	E	87	dB
VOICE COIL			
Voice Coil Diameter	φ	25	mm
Minimum Impedance	Zmin	3,9	Ω
DC Resistance	Dcr	3,25	Ω
Voice Coil Inductance	Lbm	0,22	mH
Voice Coil Length	h	6,8	mm
Former	-	kapton	-
Number of Layers	n	2	-
Wire type	-	round	-
Wire material	-	copper	-

MAGNET

Magnet Dimensions	φ x h	72 x 10	mm
Magnet Weight	m	0,16	g
Flux Density	B	1	T
Force Factor	BL	3,63	NA ⁻¹
Height of Magnetic Gap	He	4	mm
Stray Flux	Fmag	-	Am ⁻¹
Linear Excursion	Xmax	±1,4	mm

PARAMETERS

Suspension Compliance	Cms	990	μm/N
Mechanical Q Factor	Qms	4,61	-
Electrical Q Factor	Qes	0,52	-
Total Q Factor	Qts	0,47	-
Mechanical Resistance	Rms	0,45	kg s ⁻¹
Moving Mass	Mms	4,41	g
Effective Piston Area	S	50,27	cm ²
Volume Equivalent of Air at Cas	Vas	3,51	liters
Mass of Speaker	M	490	g

Suggested Applications

Vb	Fb	Dp	Lp	F-3
liters	Hz	cm	cm	Hz
3	68,3	3	13	79,5
5	66,2	3	7,5	62,5